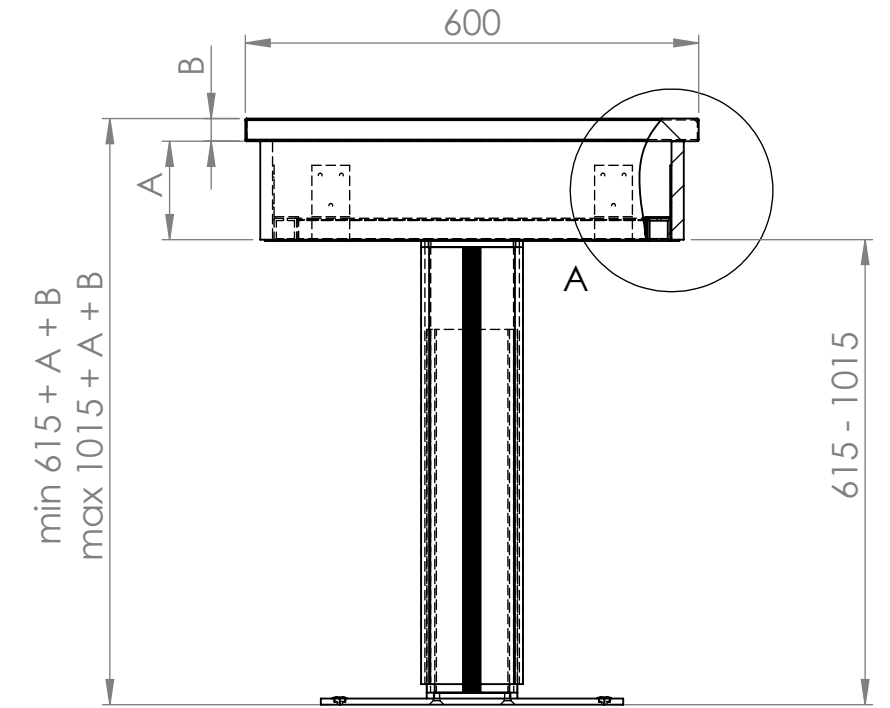
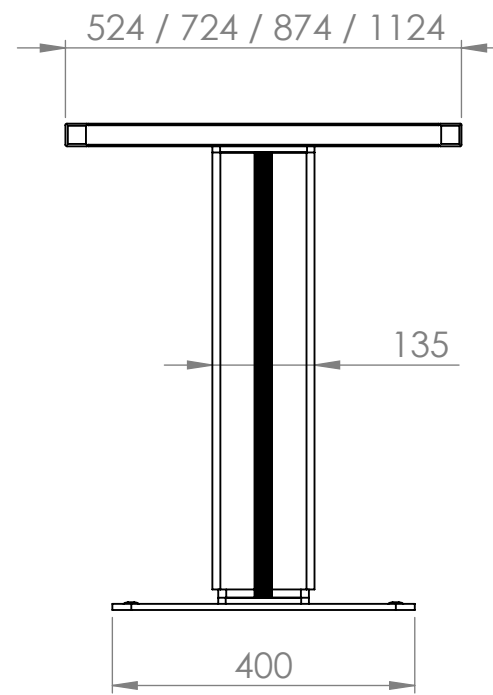
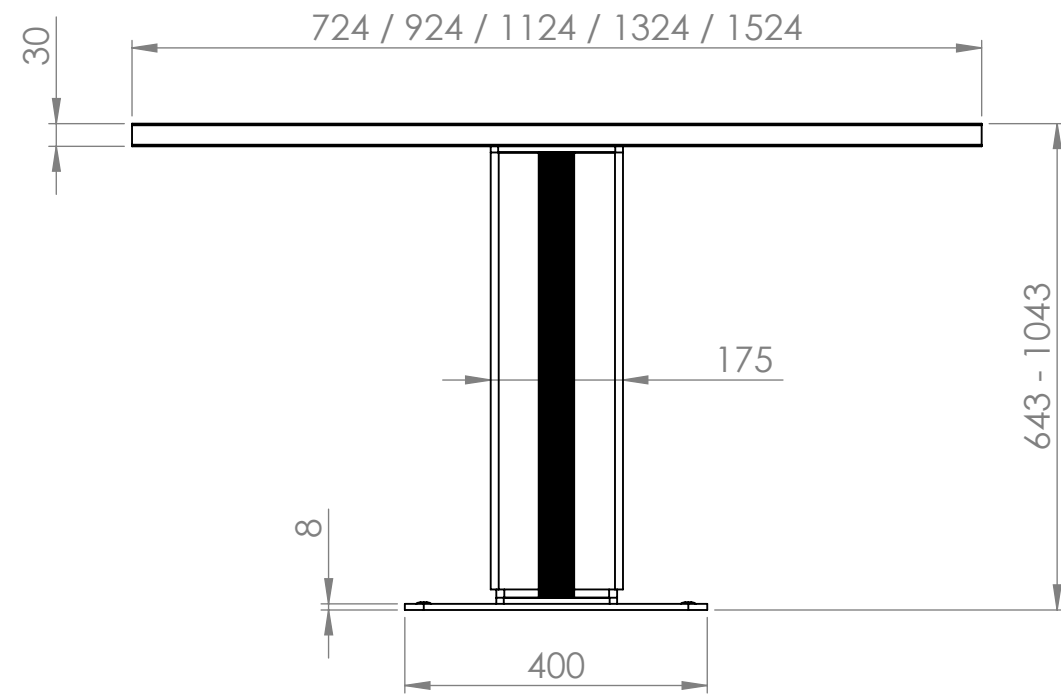
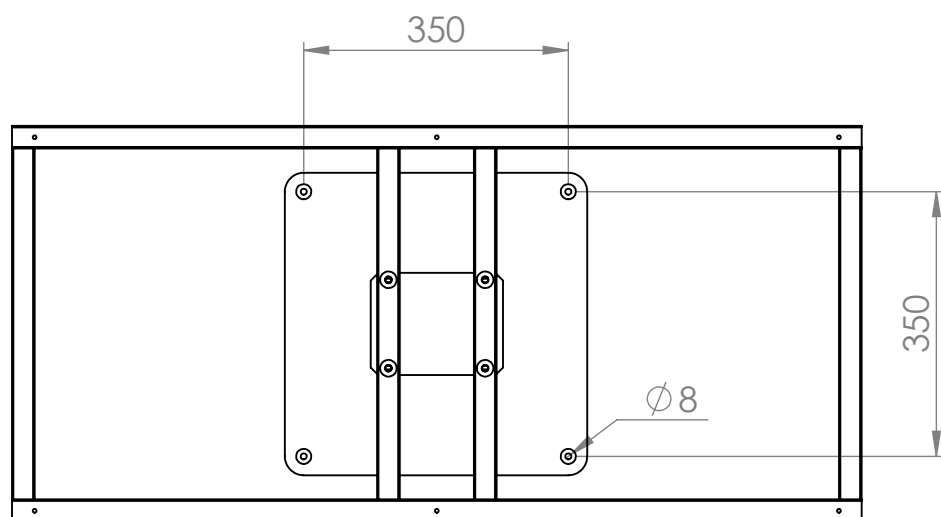
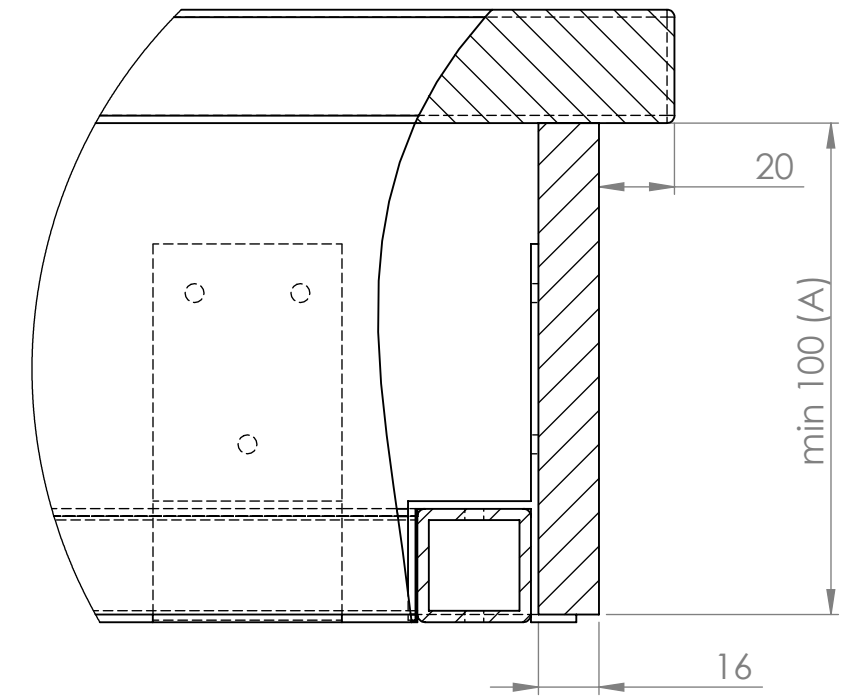


With brackets for wooden frame (Accessory)



DETAIL A
SCALE 1 : 2



UNLESS OTHERWISE SPECIFIED: DIMENSIONS ARE IN MILLIMETERS SURFACE FINISH: TOLERANCES: LINEAR: SS-ISO 2768-m ANGULAR: SS-ISO 2768-m				FINISH:	DEBUR AND BREAK SHARP EDGES	DO NOT SCALE DRAWING	REVISION
DRAWN				NAME	SIGNATURE	DATE	TITLE:
CHK'D						2014-01-07	Centerlift 80 - 160 cm 981
APPV'D							
MFG							
Q.A							
				MATERIAL:		DWG NO.	A3
				WEIGHT:		SCALE:1:10	SHEET 1 OF 1
						Granberg Interior AB Tel. +46(0)11197750 Fax. +46(0)11127676 info@granberg.se www.granberg.se	
						00824 - 981	